



Scan QR to follow MEGMEET on WeChat: 1. 3.096 -0396 -8cnq 1 1 Tf9 0 10 1 1640727515407.43.677(PrecShenzhen Megmeet Elon)ricicrCo.,Ltd/TT2 1 3f9 0 8 1 158 48 -6037518 -.58PrecAdd: 5th Coor, Block B, Ued plendour Informa

- Communication PS
- Server Power Supply
- Electric Power Supply
- Medical Power Supply
- Industrial Microwave Power Supply
- Display Power Supply
- Photovoltaic (PV)
- Energy Storage System
- Charging Pile component
- Guide Rail Power Supply
- OA Power Supply
- Flat Panel Power Supply

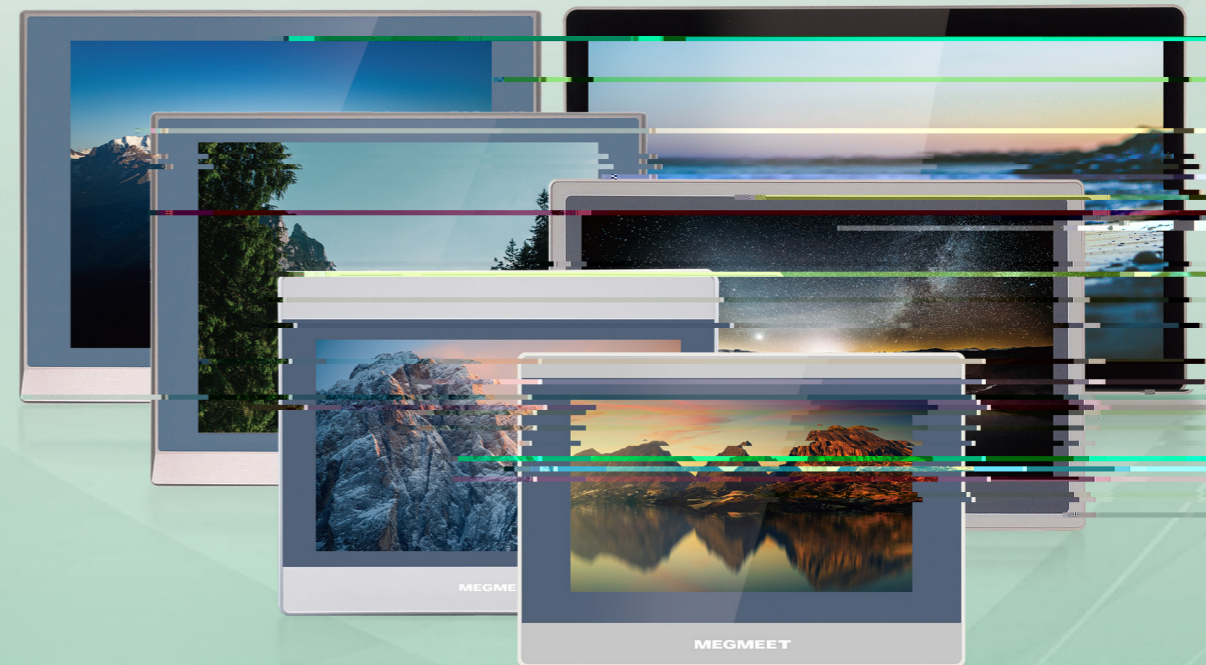
- Inverter
- Servo System
- Control System
- Sensor
- Internal Gear Pump
- Industrial IOT
- Elevator Integrated Controller
- Engineering Vehicle Controller

- Rail Transit Inverter
- Motor Controller
- Electric Compressor
- Heating Management System
- Rail Transit Air Conditioning Controller
- In-vehicle Integrated Charging System
- All-in-one High Voltage Integrated Driver

- Intelligent Digital Welding Machine
- Industrial Microwave Equipment
- Intelligent Submersible Screw Pump Oil Recovery System

- Intelligent Sanitary Ware
- Space Heating
- Microwave Oven
- Electromagnetic Heating
- Cold Chain
- Heating Ventilation Air Conditioner (HVAC)
- Washing (Drying) Machine

- Flexible Flat Cable(FPC)
- FPC
- Coaxial Line
- Varnished Wire



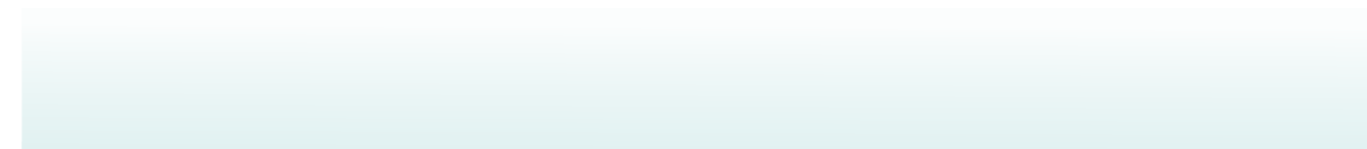
2800+ 7800+

8



Content

Software Introduction	-----	P01
Product Specification	-----	P03
Dimensions	-----	P07
Model List	-----	P11



Picture
Model/Series
Display size
Resolution
Display material
Effective display size (T/B/L/R)
Brightness
Display color
Touch screen
CPU
Memorizer
RTC
Ethernet
SD card
USB port
Serial interface
Rated power
Rated voltage
Power supply protection
Power-losing time
CE
Operation temperature
Storage temperature
Ambient humidity
Shake resistance
Protection grade



Model/Series	MZ800-TT05SK30/31	MZ800-TT107SK30	MZ800-TT207SK30/31
Display size	4.3" (16: 9 TFT LCD screen)	7" (16: 9 TFT LCD screen)	7" (16: 9 TFT LCD screen)
Resolution	480x272	800x480	1024x600
Display material		TFT color touch(LCD screen)	
Effective display size (T/B/L/R)	50°/70°/70°/70°	50°/70°/70°/70°	30: 50°/70°/70°/70° 31: 85°/85°/85°/85°
Brightness	30: 360/31:300	250	30:360/31:450
Display color	24-bit color	16-bit color	24-bit color
Touch screen		4-wire industrial resistance touch screen	
CPU	600MHz ARM Cortex-A8	720MHz ARM	4-core 1.2GHz ARMCortex-A7
Memorizer	128MB Flash+128MB DDR3	64MB RAM+128MB Flash	128MB DDR3+4GB EMMC
RTC		Built-in real-time clock	
Ethernet	30: None 31: 10M/100M(Adaptive)	None	30: None 31: 1-CH 10M/100M(Adaptive)
SD card		None	30: None 31: Supported
USB port		One USB Slave 2.0; One USB Host 2.0	
Serial interface		COM1:RS232/RS485/RS422 COM3:RS232	
Rated power	<5W		<10W
Rated voltage		DC24V ranging from DC 9V to 28V	
Power supply protection		Lightning surge protection	
Power-losing time		<5ms	
CE	Conform to EN61000-6-2:2005 EN61000-6-4:2007 standard; Conform to RoHS lightning surge±1KV group pulse±2KV; electrostatic contact 4KV air discharge 8KV		
Operation temperature	30:-20-50C/31:-25-75		0-50
Storage temperature	30:-25-60°C/31:-30-80		-20-60
Ambient humidity		10-90%RH (No condensation)	
Shake resistance		10-25Hz(X-Y-Z direction)2G(30min)	
Protection grade	The front panel conforms to IP65 (with the 2aleent clatndion)		

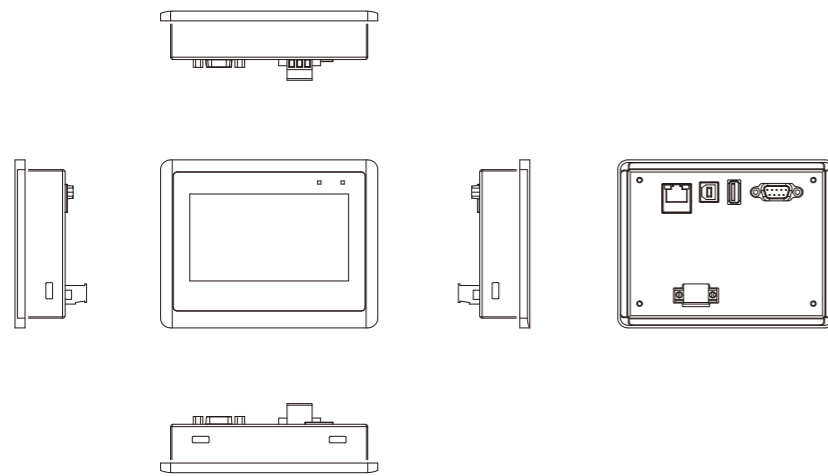
Dimensions of MZ800 Series HMI

MZ800-TT05SK30

MZ800-TT207SK30/31

MZ800-TT05SK31

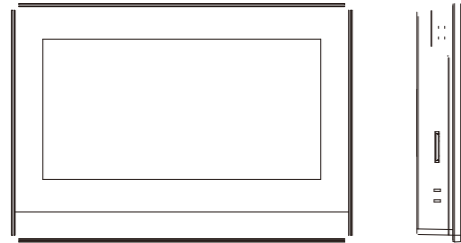
MZ800-TT207SK30/31W



MZ800-TT107SK30

MZ800-TT210SK30/31

MZ800-TT210SK30W



MZ800-TT210SK31M

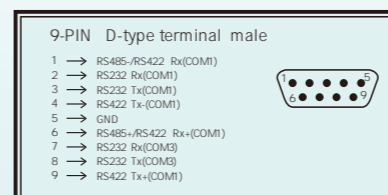
MZ800-TT215SK31

MZ800-TT22P

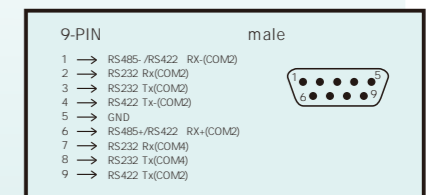
MZ800-TT07SK31M

PIN of MZ800 serial port

MZ800-TT05/207/210SK30
 MZ800-TT05/207/210SK31
 MZ800-TT10/12/15P
 COM1&COM3



MZ800-TT10/12/15P
 COM2&COM4



MZ600-TT210SK/SA

